

High Pressure Valve Assembly

Type HP-15 (15,000 psig)

DESCRIPTION

The Type HP-15 is a high-pressure control valve using a 17-4ph stainless steel body along with a solid Stellite® innervalve assembly.

APPLICATIONS

The Type HP-15 valve is used in industrial applications research, and process pilot plants on liquids and gases. The main use is in high-pressure chemical injection used in offshore oil production rigs.

MATERIALS

Body	17-4 PH
Innervalve	Stellite® 6B (plug and seat)
Packing	Standard is teflon CV rings
Actuator	
Standard	Painted carbon steel
Optional	Stainless steel

ACTUATOR CHOICES

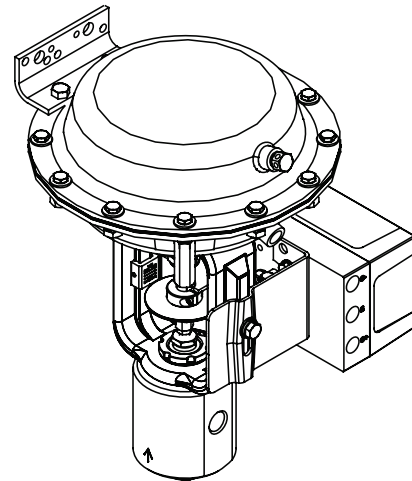
Standard	Air-to-open, fail close Air-to-close, fail open
Effective Area	35 square inches
Standard Signals	3-15#, 3-27#, 6-30#
Optional Signals	With positioner, 3-9#, 9-15#
Accessories	Filter regulator, gauges, I/P, limit switches, handwheel on standard unit, solenoids

STANDARD FEATURES

- 1/4" and 1/2" sizes
- Wide range of interchangeable trims
- Choice of linear or quick opening trims
- ANSI Class III shutoff for sizes P-1 thru P-9
- ANSI Class IV shutoff for sizes K through O
- Solid Stellite innervalve
- High pressure Autoclave fittings
- Pressure rating of 15,000 psi (1344 bar) @ 100° F (38° C)

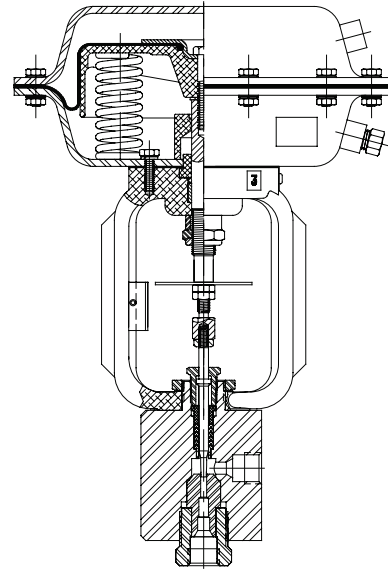
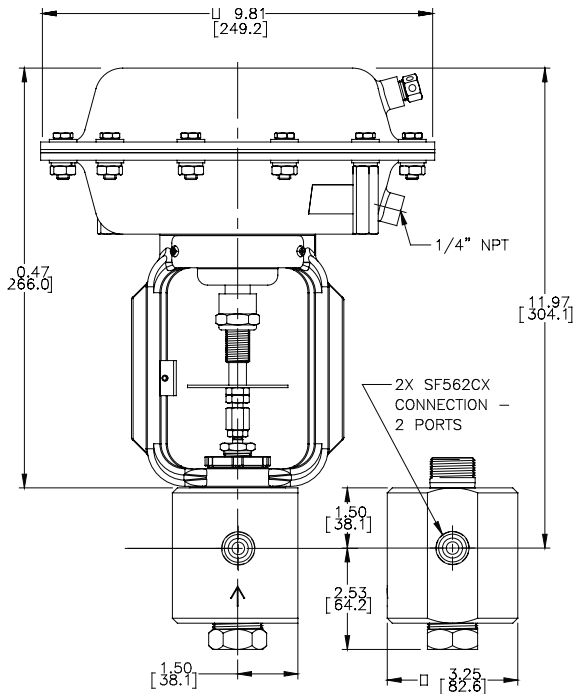


Shown with optional stainless steel actuator



Shown with optional side-mounted positioner

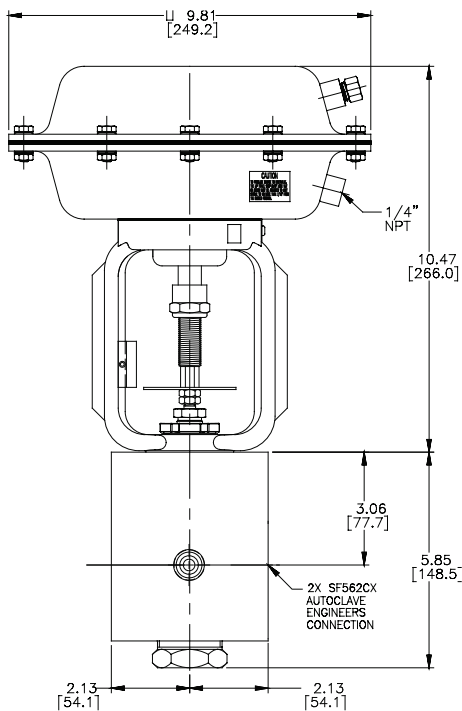
DIMENSIONS FOR 1/4" VALVE



TRIM CHART

Valve Size	Trim Size	Max. Cv	Stem Dia. (in.)	Orifice Dia. (in.)	Orifice Area (sq. in.)	Nominal Rangeability	
						Linear	Equal %
1/2"	A	2.5	0.312	0.375	0.110	40:1	50:1
	B	2.0	0.312	0.375	0.110	40:1	50:1
	C	1.25	0.312	0.281	0.062	40:1	50:1
	D	0.80	0.312	0.250	0.049	40:1	50:1
	E	0.50	0.312	0.250	0.049	40:1	50:1
1/4"	F	0.32	0.188	0.156	0.019	30:1	40:1
	G	0.20	0.188	0.156	0.019	30:1	40:1
	H	0.13	0.188	0.156	0.019	30:1	40:1
	I	0.08	0.188	0.156	0.019	30:1	40:1
	J	0.05	0.188	0.156	0.019	30:1	40:1
	K	0.03	0.188	0.086	0.005	25:1	NA
	L	0.02	0.188	0.086	0.005	25:1	NA
	M	0.01	0.188	0.086	0.005	25:1	NA
	N	0.006	0.188	0.086	0.005	25:1	NA
	O	0.003	0.188	0.086	0.005	25:1	NA
	P-1	0.002	0.188	0.063	0.003	15:1	NA
	P-2	0.001	0.188	0.063	0.003	15:1	NA
	P-3	0.001	0.188	0.063	0.003	15:1	NA
	P-4	0.0	0.188	0.063	0.003	15:1	NA
	P-5	0.0	0.188	0.063	0.003	15:1	NA
	P-6	0.0	0.188	0.063	0.003	15:1	NA
	P-7	0.0	0.188	0.063	0.003	15:1	NA
	P-8	0.0	0.188	0.063	0.003	15:1	NA
	P-9	0.0	0.188	0.063	0.003	15:1	NA

DIMENSIONS FOR 1/2" VALVE



RESEARCH CONTROL is a registered trademark of Badger Meter, Inc. Other trademarks appearing in this document are the property of their respective entities. Due to continuous research, product improvements and enhancements, Badger Meter reserves the right to change product or system specifications without notice, except to the extent an outstanding contractual obligation exists. © 2013 Badger Meter, Inc. All rights reserved.

www.badgermeter.com

PE PUMP ENGINEERING - UK Distributor

Riverside Industrial Estate, Unit B1, Littlehampton, West Sussex, BN17 5DF, England
Tel 01903 730900 - Fax 01903 730234 - sales@pumpeng.co.uk - www.pumpeng.co.uk